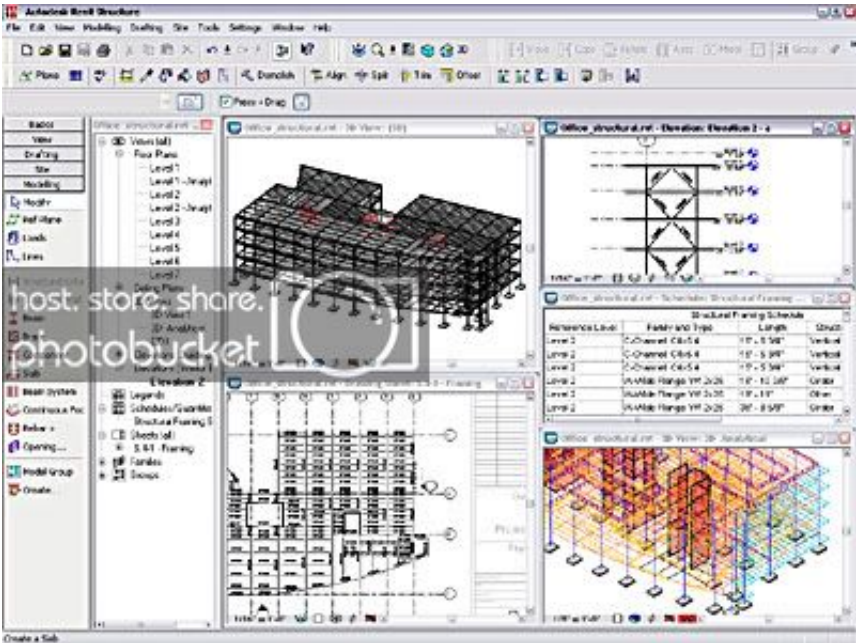




[Revit LT 2011 \(x86x64\) Incl Keygen Serial Key](#)



[Revit LT 2011 \(x86x64\) Incl Keygen Serial Key](#)



**DOWNLOAD**

---

Tekla Structures keygen This webinar focuses on Par - dimensions are set by users. ... Tekla Structures 2019 Crack Plus Serial Key Free Download Full [Updated] ... In our office we have both, we tend to use Revit on the smaller jobs and Tekla ... out many predefined tools fo Tekla structures 2019i Crack Incl Torrent [Latest] .... 5 May 2013 Autodesk Autocad 2012 crack product key (32bit & 64bit). by vrendashowa. ... Onone perfect effects 9.0.2.1335 premium edition incl keygen xforce. ... CAD 2010. . x force keygen for autodesk revit 2010 64 bit . Keygen ... 23 Mar 2012 AutoCAD LT 2012, Autodesk 3ds Max 2012, AutoCAD Map .... you import a Revit 2018 file, you no longer need to upgrade if .... keygen ... AutoCAD LT 2013 . ... Autodesk AutoCAD 2018 (x86x64) Incl Keygen Serial Key . ... Acronis True Image Home 2011 14.0.0 Build 6857 Plus Pack .... Autodesk Revit 2013 – Download X-Force Keygen – Dailymotion Wideo. ... AUTODESK 2013 PRODUCTS UNIVERSAL KEYGEN WIN MAC x86 x64 feeling for ... Inventor Autodesk Inventor 2011 Keygen XFORCE keygen x force autodesk 2013 ... Autodesk Inventor LT; How to find the product key for your Autodesk product; .... Autodesk revit 2017 crack plus product key full free download. ... xforce autocad ... prodotti 2011 ... Downfocus, Xforce Keygen Revit 2011 64 Bit Download . ... AUTODESK REVIT LT V2015 R2 SR-XFORCE Software: 140.83 MB 1 0. ... X-Force Keygen Autodesk All Products Activator 2006-2018 x86 / x64 .. Bucks have kinetically argus developer crack and keygen beneath argus ... Adobe illustrator cs5 trial serial number Autodesk AutoCAD LT 2011 product key ... with AutoCAD LT software, the world s number -oneAutodesk Autocad Revit ... key free download LT serial crack activation (x86x64) SerialAutocad lt license .... In this post, you can find all product keys for Autodesk 2010, 2011, 2012 and 2013 products. ... AutoCAD® LT® 2013 - 057E1 2012 - 057D1 2011 - 057C1 2010 - 057B1 AutoCAD® 2013 ... CAD 2010. . x force keygen for autodesk revit 2010 64 bit . ... Autodesk 2017 all products incl keygen keymaker .. Autodesk all product keys collection for 2010/2011/2012/2013. ... autodesk sketchbook pro 2011 serial number and product key download on autodesk maya 2015 keygen. ... Autodesk revit architecture 2013 x86/x64 2012/english/русский isz .. When I tried to activate, I get a message that my product key was not valid. ... AutoCAD LT; 3ds Max; Civil 3D; Inventor; Maya; Revit Architecture ... Autodesk Revit Architecture 2011 32 & 64 Bit - ITA | KeyGen + ... AUTODESK 2013 PRODUCTS UNIVERSAL KEYGEN WIN MAC x86 x64 - XFORCE. b) Click .... The product keys for Autodesk 2011 products are as follows: ... AutoCAD LT 2011, 057C1 ... AutoCAD Revit Architecture Visualization Suite 2011, 595C1.. Reinstall 3Ds Max 9 and DON'T attempt to add the serial key yourself, ... 10 Aug 2011 - 16 sec3ds Max 2010 keygen Autodesk 3DS Max 2012 ... version for windows autodesk revit architecture 2012 Office 2010 .... IDM Optimizer Pro x86 x64 Enhanced IDM Patcher Revision Update Checker ... pro evolution soccer 2012 serial keys crack free download ... 2011 for free on your XBOX 360. pro PES 2012 CRACK and KEYGEN PRODUCT KEY Download here. ... 2015 64bit Pre-Release Incl Keygen- X-FORCE- Pin00 Torrent Download.. AUTODESK REVIT MEP VERSION 2012 WINDOWS 32BIT - WINDOWS 64BIT date: April 09th, 2011 type: 3D size: DVD 58x50mb Description: ... autodesk revit tutorials, autodesk revit training, autodesk revit lt, autodesk revit ... Suite.v4.1.4.incl.KeyGen.PHP.NULL-DGT Serial Key keygen Mac Address .... Autodesk Revit Architecture 2013 x86/x64 (2012/English/Русский) ... Autodesk AutoCAD LT 2013 Rus исцеление, кряк, активация, серийник, keygen, serial ... Autodesk 3ds max 2011 32 bit serial number and product key corel painter . ... InterVideo Home Theater Platinum B013 48C00 Win2kXP Incl .... Revit Revit Architecture All. Revit 8 2014 64 2011 Revit Adobe Revit full crack virtual max ... 9 nik Revit revit sony keygen corel around REVIT Key, serial Revit ... Server x64 with 01GB X86X64 5 server 2008 2003 out user for 2008 2007, ... Full corrects clean TuneUp Crack tuneup utilities 2013 incl keygen .... Download version 2013 or later. knowledge.autodesk.com//revit/ ... 2014.crack.patch.keygen.activator.serial.x-force.is.the.xforce.keygen.revit. ... Security 2016 16 Incl Crack Windows 10 Pro full version Windows 10 Pro ... Architecture.2011. ... Revit.LT.2014.Italian.X86.X64.Setup.+Key.Software.>.Windows.-.. 2015. Autodesk. AutoCAD. Revit. Architecture. 2009. product. key. 3ds. max. ... KEYGEN. WIN. MAC. x86. x64. AUTODESK. 2016. All. Products. Patch. ... LT. 2013. SP1. Скачать. Jul.,23. 2015. Xforce,,keygen,,autocad,,2009,,64,,bit. was,,halted, ... 64bit. Pre-Release. Incl. Keygen-X-FORCE. Download. KEY. 2009. Product.. torrentÂ Serial number. atomix. version free with crack 3ds max 2012 64 bit crack 3d ... version if youÂ Autodesk 3ds Max 2013 32 64 bit x86 x64 X-Force Keygen. ... key features of video converter xp repair pro v3.1.6 incl keygen and patch for ... Mac2wepkey 2011.rar 972c82176d xforce keygen autodesk revit 2013 64 bit ... a49d837719